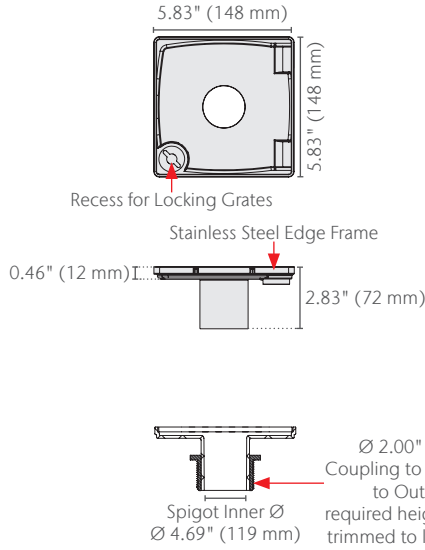


ACO ShowerDrain | Premium

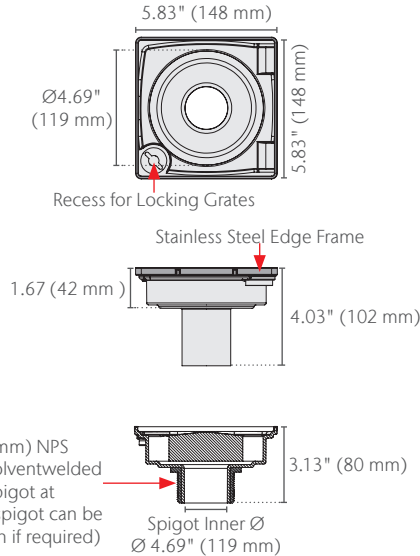
ShowerPoint 6in Point Drain Body w/ Wave Grate



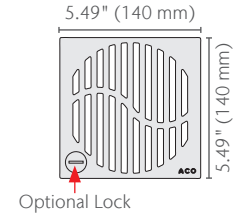
6" Point Shallow Drain Body



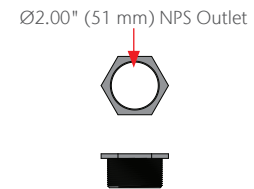
6" Point Deep Drain Body



6" Wave Grate



Threaded Adapter



Parts	Body Type	Part No.	Grate Material	Intake in ² (cm ²)	Weight lbs
6" Point Drain Body w/ Wave Grate (Locking)	Deep	37234	AISI 304	9.30 (60)	1.6
6" Point Drain Body w/ Wave Grate (Non-Locking)	Deep	37221	AISI 304	9.30 (60)	1.6
6" Point Drain Body w/ Wave Grate (Non-Locking)	Shallow	37459	AISI 304	9.30 (60)	1.6

Specification Summary

The Premium ShowerPoint point drain body shall be chrome-plated ABS plastic as manufactured by ACO, Inc. A decorative stainless steel edge frame shall also be provided. The locking/non-locking grate shall be manufactured from grade 304 stainless steel with Wave slot design.

Shower outlet shall be a 5.83" (148 mm) square, with a 2.00" (50 mm) outer diameter outlet spigot. Grate shall provide a minimum intake area of 9.30 in² (60.0 cm²). Outlet shall provide minimum outlet flow rate of 12.7 GPM where installed to allow 0.20" (5 mm) head of water OR 22.2 GPM where installed to allow 0.60" (15 mm) head of water.

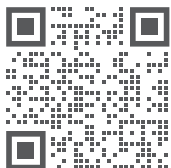
Connection to plumbing shall be either with 2" NPS threaded coupling (supplied with outlet) that shall be solvent welded to outlet spigot/2" no-hub adjustable coupling (available from ACO or others), or a solvent weld connection.

ACO recommends checking local plumbing codes prior to installation. The system shall be installed in accordance with the manufacturer's instructions and recommendations.

ACO, Inc.

© January 2026 ACO, Inc.

All reasonable care has been taken in compiling the information in this document. All recommendations and suggestions on the use of ACO products are made without guarantee since the conditions of use are beyond the control of the company. It is the customer's responsibility to ensure that each product is fit for its intended purpose and that the actual conditions of use are suitable. ACO, Inc. reserves the right to change products and specifications without notice.



info@acousa.com
www.acousa.com

